

FPGA-BASED MAXIMUM POWER POINT TRACKING OF SOLAR CELL

Rashid Hussain Chandio, Imtiaz Hussain Kalwar, Tayab Din Memon, Aftab Ahmed Mangrio, Shahzad Memon

Abstract—In this paper, we present FPGA based implementation of Maximum Power Point Tracking (MPPT) using Perturbation and Observation (P & O) algorithms for solar cell. This work has been organized in two parts. The complete Maximum Power Point Tracking (MPPT) system model was developed in MATLAB/Simulink environment for functionality verification in the first part. It has been observed from the results which show that maximum power is extracted at the load from PV panel. The second part is to design of P & O algorithm from VHDL code. The designed P & O algorithm was synthesized in Xilinx ISE 14.2 software with small commercial FPGA devices i.e. KINTEX-7 and VIRTEX-5. That designed algorithm was simulated using vector waveform file in FPGA tools. Also the synthesized results were compared on the basis of area-performance-power obtained through summary of both KINTEX-7 and VIRTEX-5 Xilinx FPGA devices. This work is highly beneficial in real time implementation of algorithm for effective performance.

Key words— PV Cell, Maximum Power Point Tracking (MPPT), DC-DC boost Converter, P & O tracking algorithm, FPGA Xilinx ISE tool.

Manuscript Received, 9-3-17; accepted: 2017; date of current version June- 2017.

Rashid Hussain Chandio is with Institute of Information & Communication Technologies (IICT), Mehran University of Engineering & Technology Jamshoro, (email: sm.crashid@gmail.com)

Imtiaz Hussain Kalwar is with Department of Electronic Engineering, Mehran University of Engineering & Technology Jamshoro (email: sm.crashid@gmail.com)

Tayab Din Memon is with Department of Electronic Engineering University of Sindh Jamshoro (email: imranmemon52@zju.edu.cn)

Aftab Ahmed Mangrio is with Department of Electronic Engineering, Mehran University of Engineering & Technology Jamshoro (email: sm.crashid@gmail.com)

Shahzad Memon is with Department of Electronic Engineering, university of sindh, Jamshoro (email: sm.crashid@gmail.com)

I. INTRODUCTION

Renewable energy sources have got great importance to meet the high energy demands. The solar energy is one of the important from the non-renewable energy sources [1].

DC electricity is generated from the solar energy as it falls on the devices called Photovoltaic (PV) cells.

Nowadays, PV systems are considered as the most energy solutions because of the advantages like noiseless, recyclable, distributed throughout the earth and abundant. Unfortunately, these systems have some considerable drawbacks for instance their low conversion efficiency and high installation cost [2]. The main problem with the PV systems is the non-linearity. These have nonlinear current-voltage (IV) characteristics which vary with change in temperature and irradiance (W/m²). Thus, output power of the PV panel changes nonlinearly throughout the day [3].

Therefore, it is very essential to operate the PV panel at its maximum possible power point [4]. The technique or algorithm that is used to set the PV panel at its maximum point where it delivers maximum power under different environmental conditions is known as the maximum power point tracking (MPPT) [5] which is fully electronic. The complete MPPT system can be shown in fig 01.

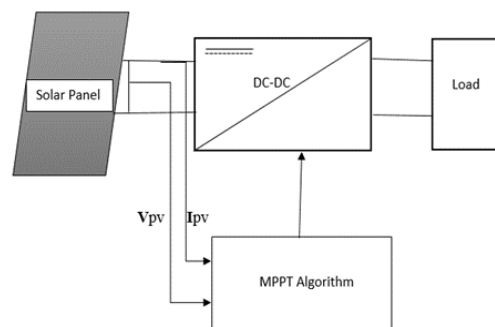


Figure.1: MPPT system Model

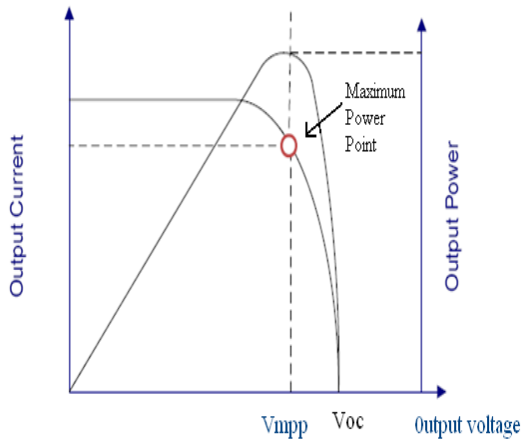


Figure.2: Maximum Power Point Tracking concept

There are many techniques have been discussed in the past literature like Incremental Conductance (IC), Perturb and Observe (P & O), Constant Voltage [6], Artificial Neural Network (ANN) [7], Temperature Gradient (TG) [8] and others.

Different methods have been used for implementing MPPT algorithms to make MPPT controllers as DSP-based, microcontroller based. Advancement in present day technology paved the way for designers to implement the MPPT controller on programmable IC chips like Field Programmable Gate Array (FPGA).

FPGA has advantages that these are faster than microprocessor or microcontroller due to parallel processing [9]. In addition, these have limitless flexible due to their reconfigurable property. These are fit to design the control algorithms however control algorithm designs using DSP's or microcontroller have slow response due to event sequencers or interrupts. Thus FPGA's are very useful for realizing control designs. FPGAs are programmed through the Hardware Description Languages like VHDL (Very High Speed Integrated Circuit HDL) and Verilog. These have flexibility to be programmed while running process in microseconds. So this very short period of the time cannot even be sensed by the system that the chip is reprogrammed.

In this paper, P & O algorithm has been developed in FPGA. This research methodology is divided into two parts. The first part includes the design of complete MPPT model in MATLAB/Simulink environment for functionality verification. After that, the second part includes the implementation of P & O algorithm using VHDL/system generator in FPGA and simulation of the design using vector waveform file in FPGA tools. It is also included to analyze the area-performance-power of the system.

II. SYSTEM DESIGN IN MATLAB/SIMULINK

Project development of MPPT system in MATLAB involves the modeling of 50W PV panel from its mathematical equations and the mathematical equations are derived from the PV cell electrical equivalent circuit. Furthermore, DC-DC boost converter has been modelled from its schematic diagram with resistive load connected at the output. The tracking algorithm P & O is designed in Matlab function block. Finally, whole system has been tested for functionality verification. Besides, the VHDL code for the P & O algorithm has been synthesized in Xilinx ISE software for FPGA implementation.

a. PV Cell Modeling

There are different models of PV cell which are used like single diode, double diode, three diodes model. As a fact above, the one diode model requires only single diode for its construction, two diodes are required for the construction of two diode models and also the three diodes are the requirement of three diodes model. In this project, single diode cell is opted which is constructed from connecting the lighted generated current source in parallel with the single diode.

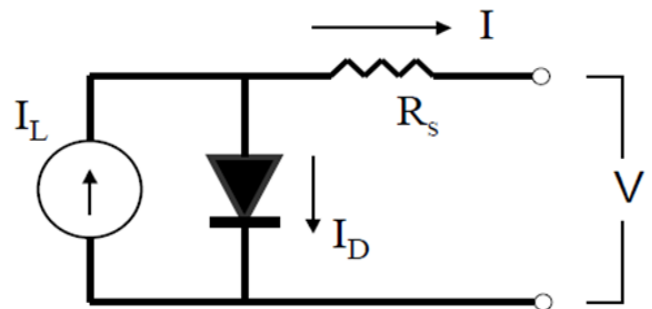


Figure.3: Single Diode Model of PV cell

To design the PV cell model in SIMULINK, the mathematical modeling and the parameters of the PV model are required. Mathematical modeling of the single diode PV cell is given as:

$$I = Np * Ipv - Np * Id * \{e^{(q/Ns * A * k * Tak) * (Vo + I * Rs)} - 1\} \quad (1)$$

- I = Output Current of the PV module
- $Ipv = I_L$ = PV module light generated current
- I_d = Diode saturation Current
- Np = No. of cells connected in parallel = 1
- Rs = Series resistance of PV module = 0.45 ohm
- Voc = Open Circuit Voltage
- Ns = No. of cells connected in series = 36

T_{ak} = Operating temperature of PV module in Kelvin
 q = Electron charge = $1.6 \times 10^{-19} C$
 A = Ideality factor = 1.3

Table.1: PV Panel Parameters at 25o C and S= 1000W/m²

Attribute	Value
Open Circuit Voltage (Voc)	21.8 V
Short Circuit Current (Isc)	3.11 A
Power at MPP (Pmp)	50 W

Above table shows the PV cell parameters and the Simulink model of 50W PV cell can be developed from the characteristics equation as.

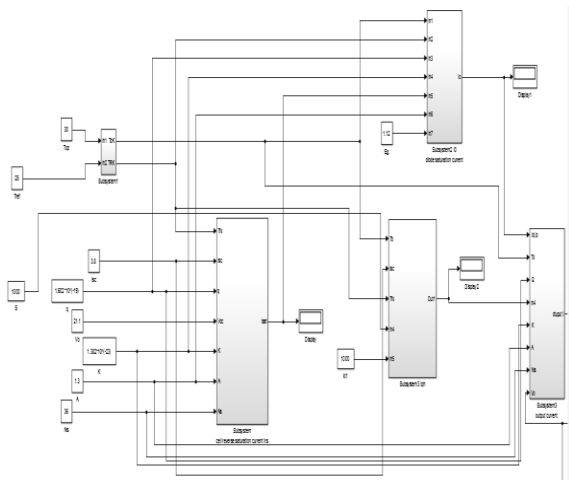


Figure.4: Simulink Model of 50W PV model

b. PV cell Simulation and Verification

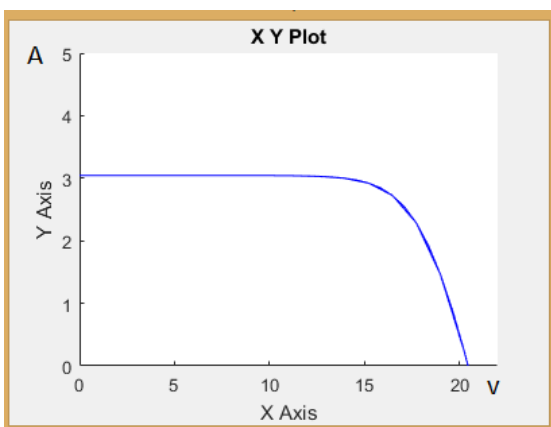


Figure.5: IV curve for 50W PV cell

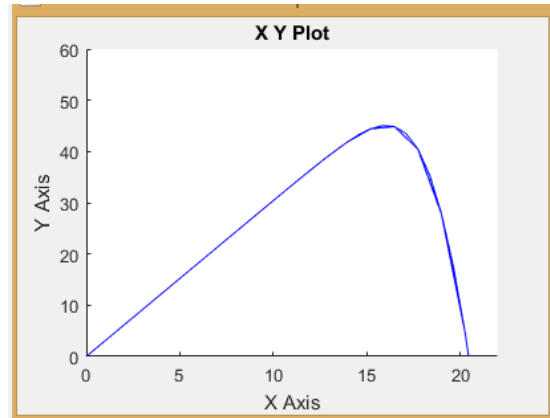


Figure.6: PV curve for 50W PV cell

C. DC-DC boost converter modeling

In order to track the maximum operating point of the PV cell for different temperature and solar irradiance which changes throughout the whole day, specific circuits have been introduced in the literature.

The more common circuit used for maximum power point is DC-DC converters placed between source which is PV panel and the load. The DC-DC converter is controlled by the proposed tracking technique. In the past, researches have been done by many scholars mainly in two categories on MPPT. The first category is related to the topology optimization of DC-DC converter. In this, there is a focus on methods to get suitable DC-DC converter to track the maximum point of power [10]. The second one is related to the tracking technique which is responsible to operate the DC-DC converter properly so as to track the maximum power point. Thus, it is need to develop an efficient maximum power point tracking system from the suitable hardware and software. The hardware is the DC-DC converter whereas; the software refers to the tracking algorithm

The DC-DC boost converter has been used in this research between the PV panel and the load in order to deliver maximum power at the load. Its construction involves the inductor, capacitor, diode and the active switch like MOSFET or IGBT. The converter with MOSFET has been used for this system. The basic schematic diagram of the DC-DC boost converter is shown below.

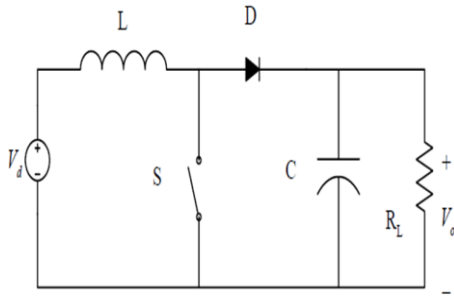


Figure.7: DC-DC boost converter

The above given schematic diagram can be used to develop the Simulink model of the converter in Matlab/Simulink environment. The proposed Simulink model in Matlab will be as:

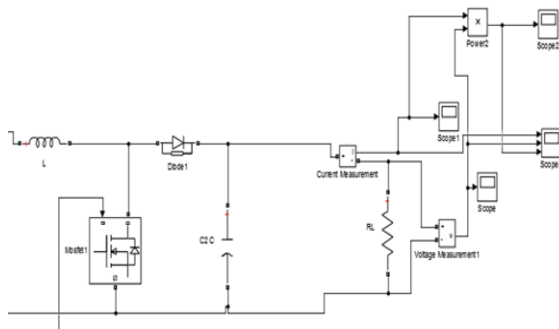


Figure.8: Simulink model of the DC-DC boost converter

a. *Perturb and Observe (P & O) algorithm modeling*

P & O is very often used method for the reason that it is easy in implementation and it involves Hill climbing nature therefore, is also called as Hill Climbing method. It requires less number of sensors [11]. In this technique PV cell operating voltage is to be perturbed (increased or decreased) to make the output power maximum. Further, when the voltage from the PV panel is increased and with that power is also increased it shows that point is going towards the MPP. In other case, if the power from PV panel decreases with increase in operating voltage the point must be perturbed in reverse direction [12].

Here in this project, MATLAB function block is used to design the P & O algorithm based controller for Maximum Power Point Tracking. The inputs to the controller are current and voltage from the PV panel and output will be the PWM signal. The code can be created by following flow chart of the P & O algorithm.

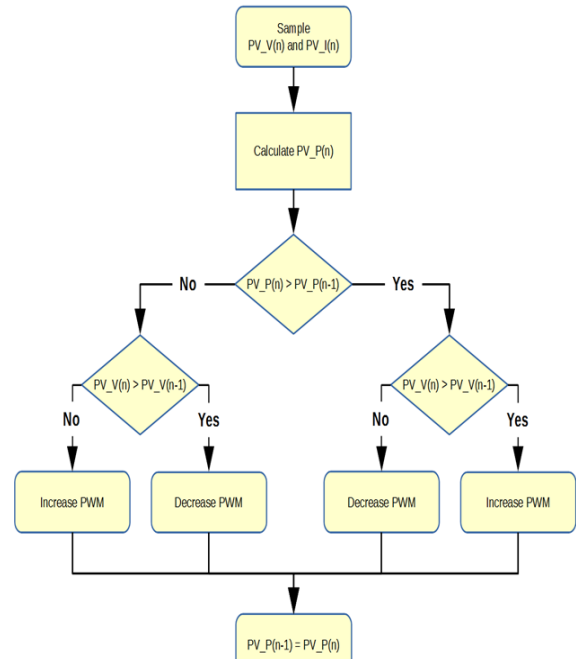


Figure.9: Flow chart of P & O algorithm

b. *Complete MPPT system modelling and its working*

The complete MPPT Model is developed as the DC-Dc boost converter is placed in between the PV panel and the load. PV panel outputs current and voltage are sensed by the current and voltage sensors and then current and voltage are fed into the P & O controller. The PWM signal will be the output of that controller and that generated PWM signal will be fed into the MOSFET of the DC-DC boost converter which sets the PV panel to deliver the maximum power at the load.

The complete MPPT model on MATLAB/SIMULINK has been developed as.

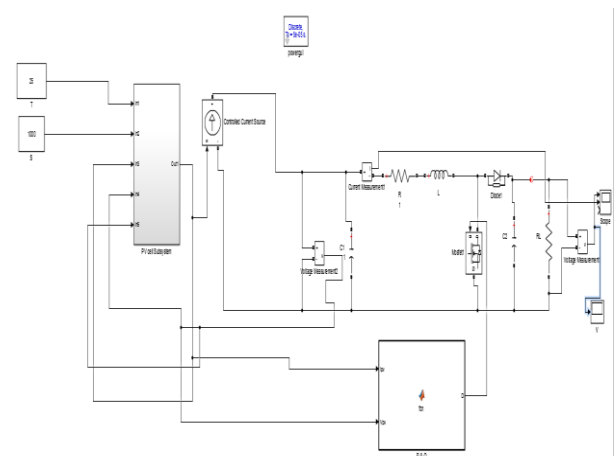


Figure.10: Complete Simulink Model of MPPT system

III. FPGA IMPLEMENTATION OF P & O ALGORITHM

After the complete model has been modelled on the MATLAB/ Simulink. The P & O algorithm is to be generated in VHDL code. The VHDL code has been synthesized in FPGA and the FPGA will work as MPPT controller. Simply, the design of the algorithm on FPGA include:

- Implement the P & O algorithm using VHDL/system generator in FPGA.
- Simulate the design using vector waveform file in FPGA tools.
- Compute the area-performance and functionality of the design using various small commercial FPGA devices.

In this project, Xilinx ISE tool 14.2 has been selected to design the algorithm. VHDL code for the P & O algorithm has been generated and then it will be synthesized in Xilinx ISE 14.2 software for two Xilinx FPGA devices VIRTEX-5 and KINTEX-7. Both devices will be compared on the basis of performance, power and resource utilization.

IV. RESULTS

The results of this research have been divided into two parts to verify the developed project. The first results include the simulation results in MATLAB/Simulink environment for functionality verification and the second results are the FPGA results when VHDL code of the P & O algorithm has been synthesized in Xilinx ISE 14.2. Further VHDL code has been synthesized for two Xilinx FPGA devices KINTEX-7 and VIRTEX-5. Finally, the vector waveform for the design has been carried out and also the comparison has been made on the basis of area-performance and power for both FPGA Xilinx devices.

a. MATLAB Simulation results

Complete model, when, simulated in MATLAB the simulation results are as:

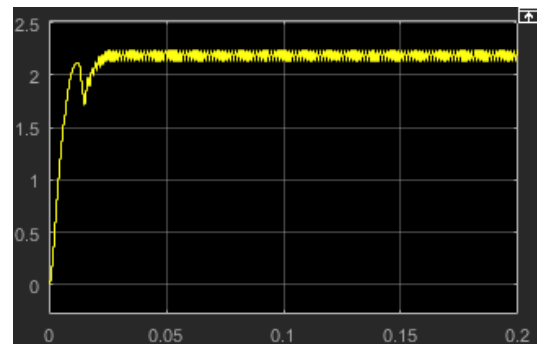


Figure.11: Current (A) at the load

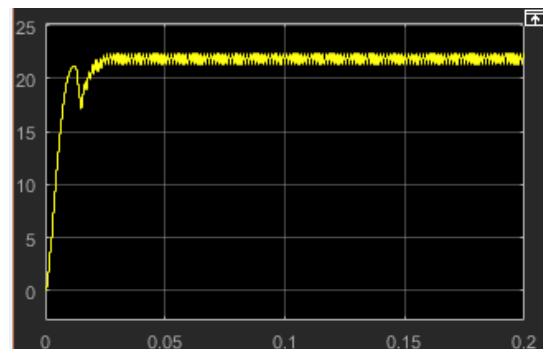


Figure.12: Voltage (V) at the load

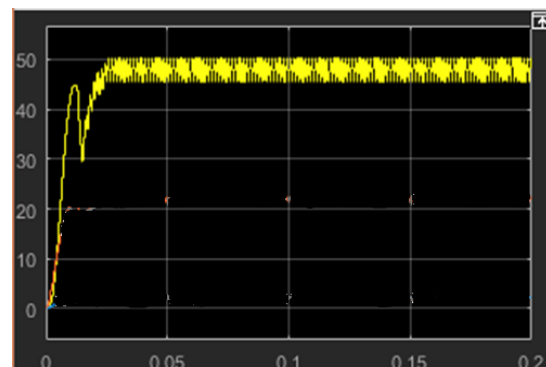


Figure.13: Maximum power (W) delivered at load

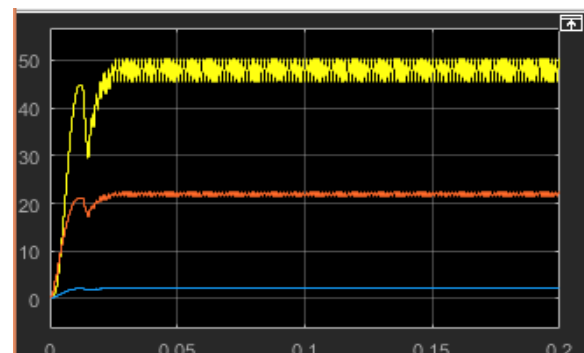


Figure.14: Collective Power (W), voltage (V) and current (A)

In fig.14,the upper curve shows the Power, middle curve shows the voltage and the current is shown by the bottom curve.

b. *FPGA results*

After, the verification of the system, the algorithm P & O is designed for FPGA, for that, the VHDL code of the P & O algorithm is synthesized in Xilinx ISE software. When the P & O algorithm is synthesized in Xilinx ISE tool, the results are as:

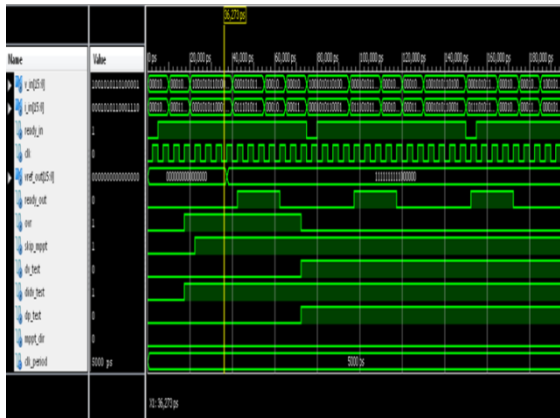


Figure.15: Vector waveform for P & O algorithm Verification

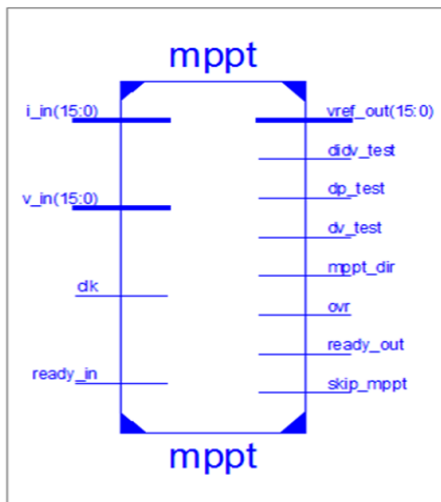


Figure.16: RTL view for the P & O algorithm

RTL is the Register Transfer Level view which describes the pre-optimized design of the synthesized file. It helps the designer to know the issues during the design.

Power (W)	KINTEX7-(XC7K335T)	VIRTEX5-(XCVLX50T)
STATIC	0.138	0.448
DYNAMIC	0.000	0.004
TOTAL	0.138	0.452

Table.2: FPGA Resource Utilization

Resources	Kintex-7			Virtex-5		
	Used	Available	Utilization (%)	Used	Available	Utilization (%)
No. of Slice LUTs	284	222,600	1	217	28,800	1
No. slice registers	183	445,200	1	195	28,800	1
No. of DSP48A1's/ DSP48Es	1	1440	1	1	48	2
Number of Bonded IOBs	57	300	19	57	480	11

Table.3: A summary calculated time delay

Device	Time Delay (ns)
KINTEX7-(XC7K335T)	3.203
VIRTEX5-(XCVLX50T)	4.667

Table.4: Power consumption for both FPGA devices for both FPGA Devices

V. CONCLUSION

It is concluded from the designed MPPT model in MATLAB/SIMULINK environment that maximum power approximately 50W is delivered at the load. Further, VHDL code of P & O algorithms has been tested and synthesized in Xilinx ISE 14.2 software where vector waveform has been carried out.

Also the P & O algorithm has been synthesized for both Xilinx FPGA devices KINTEX7-XC7K355T and VIRTEX5- XC5VLX50T which are compared on the basis of area, performance and power for P & O algorithm.

After analyzing both FPGA devices, the much better choice on the basis of
Area- VIRTEX5- XC5VLX50T
Performance- KINTEX7-XC7K355T
Power- KINTEX7-XC7K355T

Comparison results show that KINTEX7-XC7K355T is best choice for performance and consuming less power while the VIRTEX5-XC5VLX50T utilizes less resource like no. of LUTs, IOB and registers.

Future work of the system includes: This system can also be developed by using buck and boost converter operations in order to achieve the different voltage levels as per our desire. Modifications can be made to set the applications of the project where more PV cells or panels are present.

ACKNOWLEDGMENTS

The authors would like to acknowledge Institute of Information & Communication Technologies (IICT), Mehran University of Engineering & Technology Jamshoro, and Pakistan for their support towards completion of this research.

REFERENCES

- [1] Eman. Goma, Mohamed Orabi, Jaber Abu Qahouq, "Single Output-Sensor On-chip Integrated MPPT for PV Solar System Power Management" Proc. IEEE Applied Power Electronics Conference and Exposition - APEC 2014.
- [2] IONUT-RAZVAN CALUIANU et al, "Photovoltaic Module Maximum Power Point Determination Using One Diode Model and Artificial Neural Network Model"
- [3] Dhananjay Choudhary, Anmol Ratna Saxena, "DC-DC Buck Converter for MPPT of PV System" Proc. International Journal of Emerging Technology and Advanced Engineering, Volume 4, Issue 7, July 2014.
- [4] T.Sridhar and Anish kumar J, "Development of Solar MPPT System Using Boost Converter with Microcontroller", Proc. International Journal of Advanced Research in Electrical, Electronics and Instrumentation Engineering, Vol. 1, Issue 4, October 2012.
- [5] Zaghbalayachi, et al., "Buck-Boost Converter System Modeling and Incremental Inductance Algorithm for Photovoltaic System via MATLAB/Simulink", Proc. The 2nd International Seminar on New and Renewable Energies, 13 and 14 October 2014, Ghardaïa – Algérie
- [6] Fang lu, Pengwei Xu, Yong Kang, Shangxu Daun, "A Variable Step Maximum Power Point Tracking Method Using Differential Equation Solution" Proc. 2nd IEEE Conference on Industrial Electronics and Applications, 2007.
- [7] H. Ravi shankar Kamath, R. S. Aithal, P.K Singh Ashis Kumar Sinha, Atit R Danak, "Modeling of Photovoltaic Array and Maximum Power Point Tracker Using ANN." Proc. Journal of Electrical Systems, ISSN 1112-5209, Volume 4, Issue 3. Sep 2008.
- [8] Luigi Piegari et al "Optimized Adaptive Perturb and Observe Maximum Power Point Tracking Control for Photovoltaic Generation" Proceedings of Energies Research Journal, ISSN 1996-1073, 27 April 2015.
- [9] Y. F Chan, M. Moallem, W. Wang, "Efficient Implementation of PID control Algorithm using FPGA Technology" Proc. 43rd IEEE conference on Decision and Control, December 2004.
- [10] R. F Coelho, F. M. Concer and D. Martins, "A Study of the Basic Dc-Dc converters", Proc. 10th Brazilian Power Electronics Conference, 2009.
- [11] [Pulkit Singh, Dr. D.K. Palwalia, Amit Gupta, Prakash Kumar, "Comparison of Photovoltaic Array Maximum Power Point Tracking Techniques", Proceedings of International Advanced Research Journal in Science, Engineering and Technology (IARJSET), Vol. 2, Issue, April 2015.
- [12] Nicola Femia, Giovanni Petrone, Giovanni Spagnuolo and Massimo Vitelli, "Optimization of Perturb and Observe Maximum Power Point Tracking Method", Proc. IEEE Transaction on Power Electronics, Vol. 20, No. 4, July 2005.